

# Glass liquor Bottles

FLINT

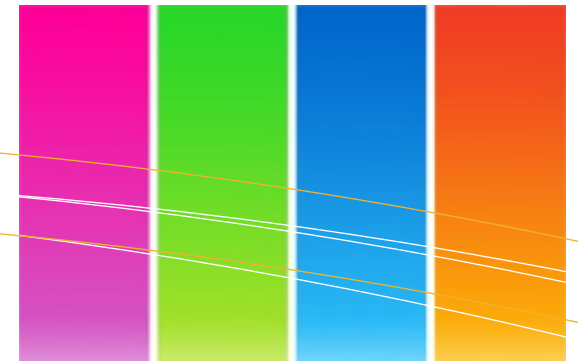


**LIQUOR**

**2012**

**Glass Bottles Cata-  
logue**

Your Innovative Packaging Partner





## We're Asia-Pacific wide

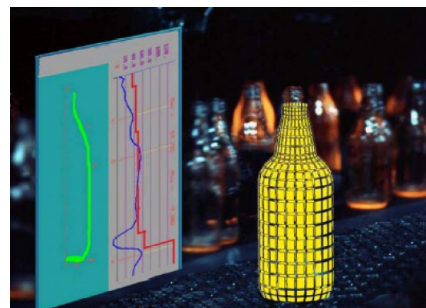
We operate in Malaysia, Indonesia, Singapore and Australia. We primarily work with small-medium enterprises in mid-size markets.



Catalogue(11), Sep 2012, v.1 *pl*

## OUR TEAM

Availability of wide range of glass products from our own designs and those of our partnering plant. (ACI/OI background) provides design concepts and product specifications to enhance packaging designs. We design and develop new glass products and moulds.



Understand your product and the appropriate packaging to help you add value to your products and profitability.

Understand your technical and quality requirement, work with partnering plants to ensure the glass packaging product meets to your requirement.

Implement strict Process Control and Quality Assurance systems to ensure quality products supplied, conform to the product specification.

Organizing prompt deliveries to your requirement, a relief from time spent on tracking suppliers and deliveries.

## OUR VALUE

Low Entry Cost: e.g. mould cost US\$15k, minimum qty per order of 200,000 - 300,000 pcs.

Wide Range: from 10ml to 2 Litre, pharmaceuticals, food, beverage, wine, decorated and printed ware.

Flexibility: our existing and partnering plant in multiple manufacturing location.

Stability: multi-location manufacturing and dedicated production lines.

Consistent Quality: achievable standards and implement best practice procedures.



Improvement: in yield, efficiency, ultimately productivity .

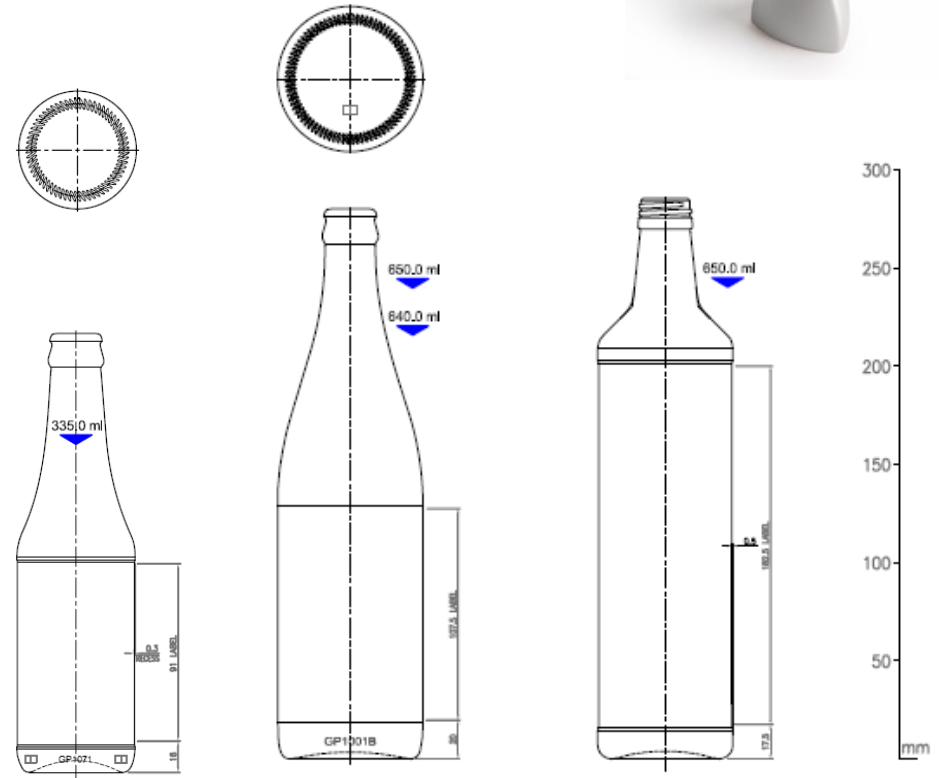
Lightweight technology. Reduction in bottle weight results reduced trucking load hence distribution cost reduced by 5%.



*We aim at developing a wide assistance network to offer a quick and qualified service in order to build customer satisfaction and loyalty.*

Contact Us

www.glaspak.com.my  
+603 - 7847 3276 / 5276



PRODUCT	GP1071
BRIMFUL (ml)	354.0
WEIGHT (g)	195
HEIGHT (mm)	225.0
BODY (mm)	60.6
FINISH TYPE	26-600
PCS/TRAY	371
LAYERS	5
PCS/PALLET	1855
COLOUR	FLT / AMB

PRODUCT	GP1001 TG185
BRIMFUL (ml)	659.0
WEIGHT (g)	430
HEIGHT (mm)	280.0
BODY (mm)	74.0
FINISH TYPE	26-600
PCS/TRAY	240
LAYERS	8
PCS/PALLET	1920
COLOUR	FLT / AMB

PRODUCT	GP1108
BRIMFUL (ml)	663.0
WEIGHT (g)	435
HEIGHT (mm)	285.5
BODY (mm)	68.8
FINISH TYPE	28 SROTE
PCS/TRAY	276
LAYERS	8
PCS/PALLET	2208
COLOUR	FLINT

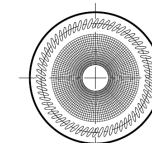
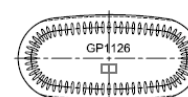
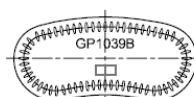


BOTTLES > 500n  
CATALOGUE(10), MAY 20  
SIZE A4, SCALE 1

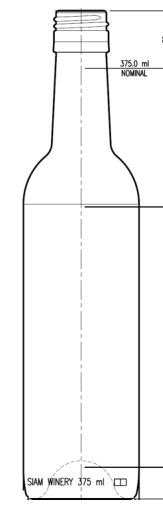
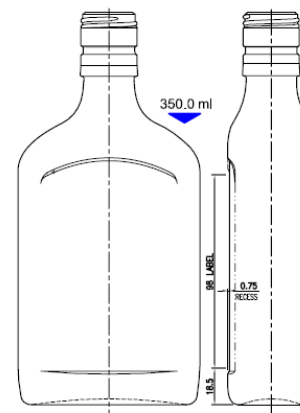
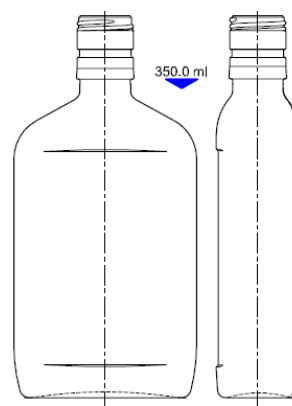
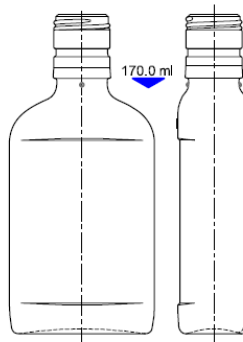
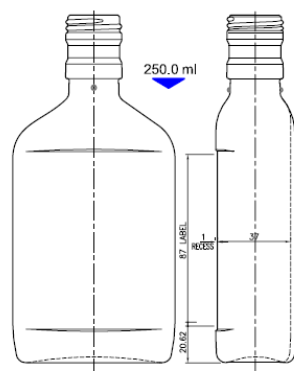
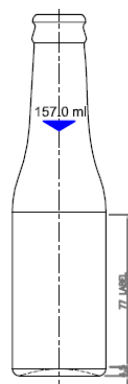
Contact Us

# Liquor Bottles under 500ml

www.glaspak.com.my  
+603 - 7847 3276 / 5276



0 50



200  
150  
100  
50  
mm

PRODUCT	GP1078
BRIMFUL (ml)	178.0
WEIGHT (g)	125
HEIGHT (mm)	183.0
BODY (mm)	47.4
FINISH TYPE	26-655
PCS/TRAY	600
LAYERS	6
PCS/PALLET	3600
COLOUR	FLINT

PRODUCT	GP1122
BRIMFUL (ml)	260.0
WEIGHT (g)	250
HEIGHT (mm)	176.0
BODY (mm)	82.0 x 40.5
FINISH TYPE	30 EDROTE
PCS/TRAY	391
LAYERS	12
PCS/PALLET	4692
COLOUR	FLINT

PRODUCT	GP1033
BRIMFUL (ml)	182.6
WEIGHT (g)	202
HEIGHT (mm)	150.0
BODY (mm)	73.5 x 36.3
FINISH TYPE	30 EDROTE
PCS/TRAY	525
LAYERS	13
PCS/PALLET	6825
COLOUR	FLINT

PRODUCT	GP1039
BRIMFUL (ml)	365.0
WEIGHT (g)	310
HEIGHT (mm)	193.5
BODY (mm)	92.5 x 42.5
FINISH TYPE	30 EDROTE
PCS/TRAY	330
LAYERS	12
PCS/PALLET	3960
COLOUR	FLINT

PRODUCT	GP1126
BRIMFUL (ml)	365.0
WEIGHT (g)	345
HEIGHT (mm)	198.5
BODY (mm)	92.0 x 44.0
FINISH TYPE	30 EDROTE
PCS/TRAY	288
LAYERS	11
PCS/PALLET	3168
COLOUR	FLINT

PRODUCT	CY375LZL
BRIMFUL (ml)	383.0
WEIGHT (g)	345
HEIGHT (mm)	255.0
BODY (mm)	60.0
FINISH TYPE	30/60
PCS/TRAY	361
LAYERS	9
PCS/PALLET	3249
COLOUR	Dark.Green



LIQUORS < 500ml  
CATALOGUE(10), MAY 2011  
SIZE A4, SCALE 1:4

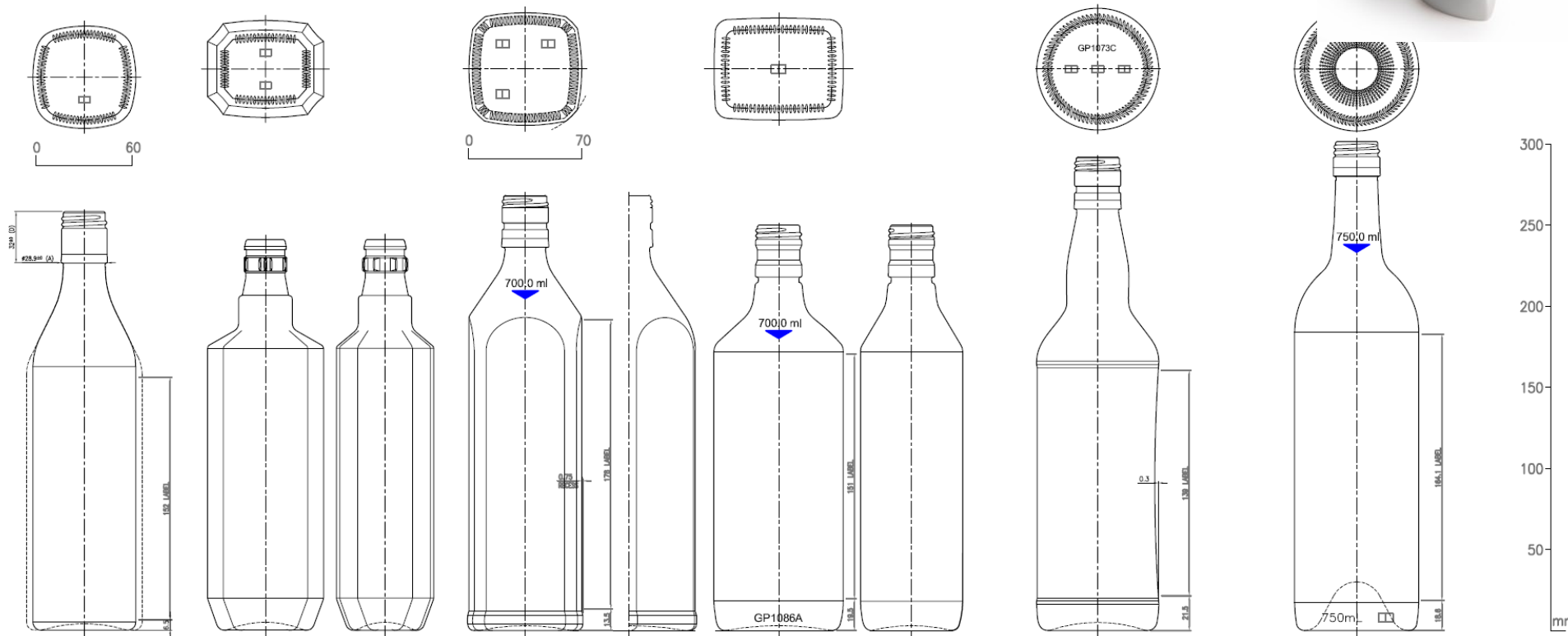


Contact Us

www.glaspak.com.my  
+603 - 7847 3276 / 5276

# Liquor Bottles

## above 500ml



PRODUCT	<b>A525</b>
BRIMFUL (ml)	<b>537.0</b>
WEIGHT (g)	<b>450</b>
HEIGHT (mm)	<b>262.0</b>
BODY (mm)	<b>64.0 x 64.0</b>
FINISH TYPE	<b>30/32 ROLL-ON</b>
PCS/TRAY	<b>304</b>
LAYERS	<b>9</b>
PCS/PALLET	<b>2736</b>
COLOUR	<b>FLINT</b>

PRODUCT	<b>GP1127</b>
BRIMFUL (ml)	<b>537.0</b>
WEIGHT (g)	<b>450</b>
HEIGHT (mm)	<b>241.0</b>
BODY (mm)	<b>71.5 x 60.0</b>
FINISH TYPE	<b>26 GUALA</b>
PCS/TRAY	<b>247</b>
LAYERS	<b>8</b>
PCS/PALLET	<b>1976</b>
COLOUR	<b>FLINT</b>

PRODUCT	<b>FK1111</b>
BRIMFUL (ml)	<b>723.0</b>
WEIGHT (g)	<b>450</b>
HEIGHT (mm)	<b>268.4</b>
BODY (mm)	<b>69.5 x 69.5</b>
FINISH TYPE	<b>30 EDROTE</b>
PCS/TRAY	<b>240</b>
LAYERS	<b>7</b>
PCS/PALLET	<b>1680</b>
COLOUR	<b>FLINT</b>

PRODUCT	<b>GP1086A</b>
BRIMFUL (ml)	<b>730.0</b>
WEIGHT (g)	<b>470</b>
HEIGHT (mm)	<b>260.0</b>
BODY (mm)	<b>79.0 x 60.0</b>
FINISH TYPE	<b>30 EDROTE</b>
PCS/TRAY	<b>247</b>
LAYERS	<b>8</b>
PCS/PALLET	<b>1976</b>
COLOUR	<b>FLINT</b>

PRODUCT	<b>GP1073</b> TC307
BRIMFUL (ml)	<b>720.0</b>
WEIGHT (g)	<b>420</b>
HEIGHT (mm)	<b>292.0</b>
BODY (mm)	<b>75.3</b>
FINISH TYPE	<b>30 EDROTE</b>
PCS/TRAY	<b>232</b>
LAYERS	<b>8</b>
PCS/PALLET	<b>1856</b>
COLOUR	<b>FLINT</b>

PRODUCT	<b>750-5LK</b>
BRIMFUL (ml)	<b>770.0</b>
WEIGHT (g)	<b>545</b>
HEIGHT (mm)	<b>301.5</b>
BODY (mm)	<b>76.5</b>
FINISH TYPE	<b>30/60 BVS</b>
PCS/TRAY	<b>225</b>
LAYERS	<b>8</b>
PCS/PALLET	<b>1800</b>
COLOUR	<b>Antique Grn</b>



LIQUORS > 500ml  
CATALOGUE(10), MAY 2011  
SIZE A4, SCALE 1:4

# Liquor Bottles



Contact Us

www.glaspak.com.my  
+603 - 7847 3276 / 5276



20130401\_liquor bottles





# Redesign

## Liquor Bottles



www.glaspak.com.my  
+603 - 7847 3276 / 5276



30/60 BVS

Guala

Fill 700ml

275

69 x 69

20130401\_propose 700ml

500ml N/R OFF-ROUND BOTTLE	
WARE DRAWING	
CUSTOMER	STOCK
WEIGHT	450 g
FINISH	2E-DUALA 2HAP (CF4408)
FINISH	COLOUR FLINT
<b>GLASPAK</b>	
CLWG. No	UOE. No
GL-1216	CF4408

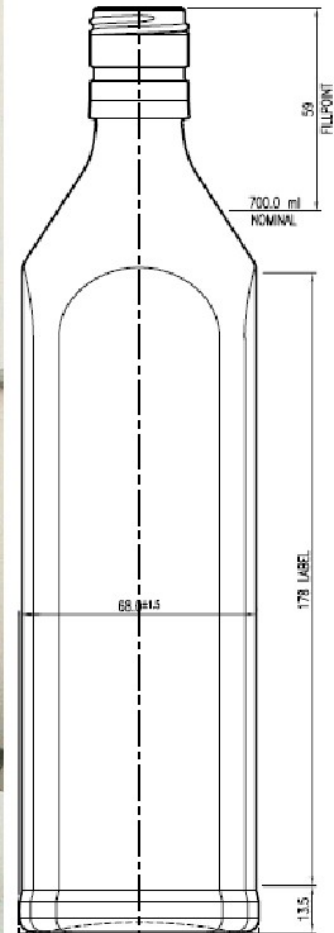


# Liquor Bottles



Contact Us

www.glaspak.com.my  
+603 - 7847 3276 / 5276



700ml N/R OFF-ROUND WHISKY BOTTLE	
WARE DRAWING	
CUSTOMER	STOCK
WEIGHT	470 g ± g
BRIMLINE CAPACITY	730.0 ml ± ml
FILL POINT CAPACITY	700.0 ml ± 15.0 ml
FINISH	COLOUR
30mm EXTRA DEEP ROTE (DARKER) FLINT	FLINT
<b>GLASPAK</b>	
DWG. No.	JOB No.
QL-1397A	GP1086B

700ml N/R WHISKY BOTTLE	
SUGGESTED DRAWING	
CUSTOMER	STOCK
WEIGHT	450 g ± g
BRIMLINE CAPACITY	720.0 ml ± ml
FILL POINT CAPACITY	700.0 ml ± 10.0 ml
FINISH	COLOUR
30mm EXTRA DEEP ROTE (DARKER) FLINT	FLINT
<b>GLASPAK</b>	
DWG. No.	JOB No.
QL-1114K	GP1073A

750ml N/R STOOK BOTTLE	
WARE DRAWING	
CUSTOMER	STOCK
WEIGHT	430 g ± g
BRIMLINE CAPACITY	788.0 ml ± ml
FILL POINT CAPACITY	758.0 ml ± 8.0 ml
FINISH	COLOUR
30mm W/O BLUISH (TD 185) FLINT	FLINT
<b>GLASPAK</b>	
DWG. No.	JOB No.
QL-1218A	ASB (GP1088)

640ml N/R STOOK BOTTLE	
WARE DRAWING	
CUSTOMER	STOCK
WEIGHT	430 g ± g
BRIMLINE CAPACITY	658.0 ml ± ml
FILL POINT CAPACITY	640.0 ml ± 7.0 ml
FINISH	COLOUR
26-600 CROWN SEAL	FLINT
<b>GLASPAK</b>	
DWG. No.	JOB No.
QL-1221	GP1001B

GP1086B

GP1073A

A098

GP1001B/TG185

750-5LK

FK1111

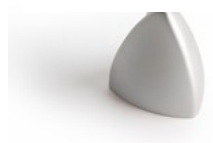






Contact Us

www.glaspak.com.my  
+603 - 7847 3276 / 5276



*Closures*

